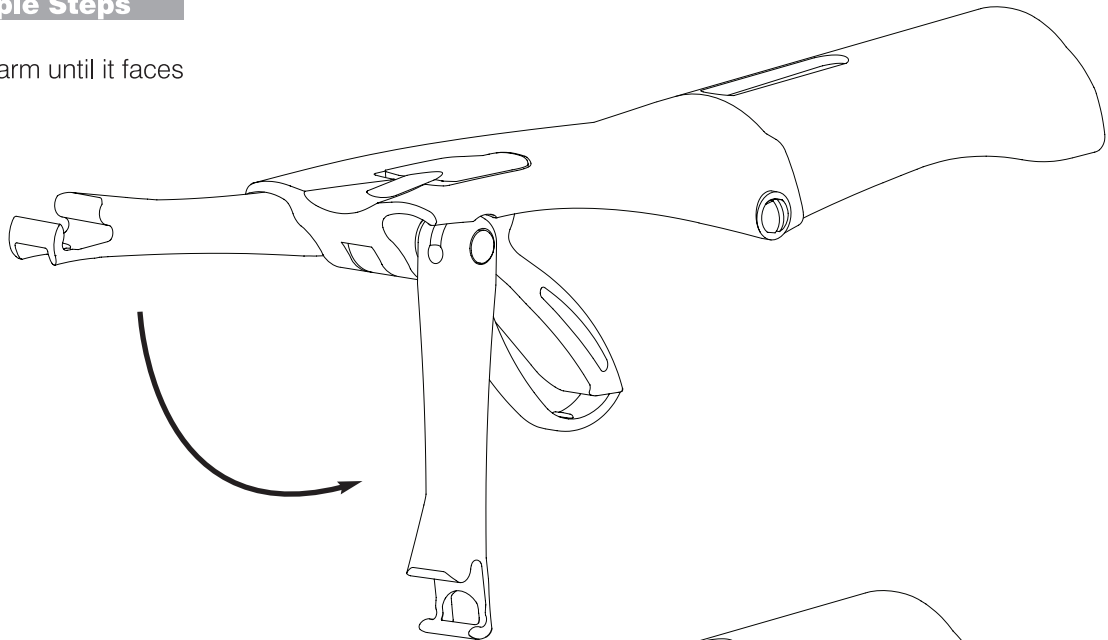


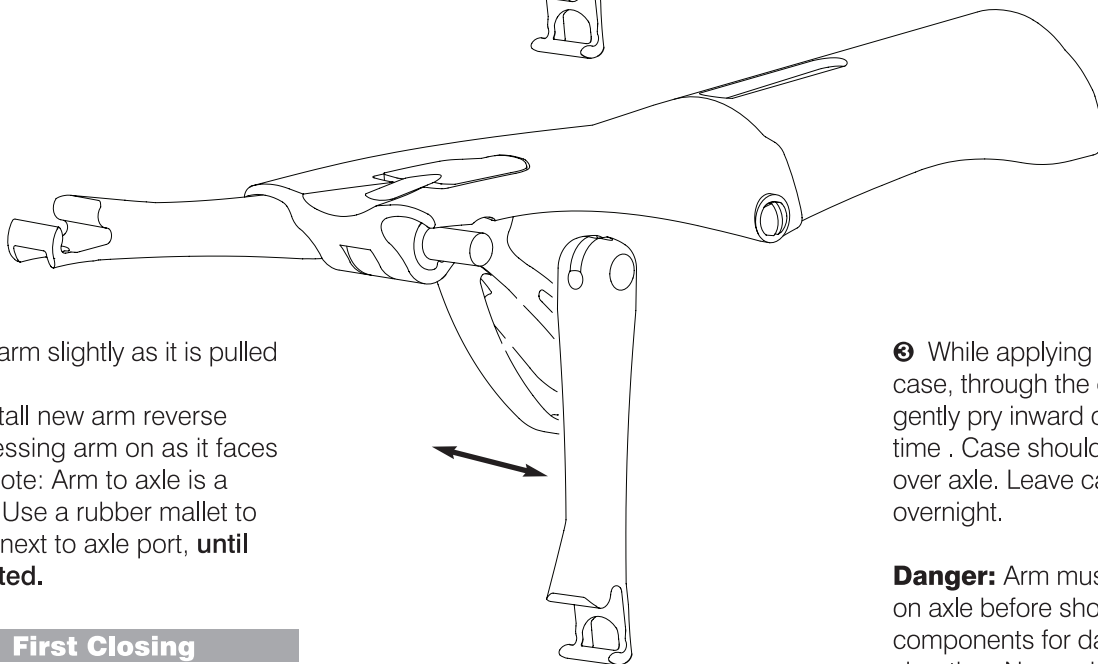
Three Simple Steps

❶ Fold damaged arm until it faces straight down.



❷ Rock arm slightly as it is pulled off axle.

❸ To install new arm reverse steps pressing arm on as it faces down. Note: Arm to axle is a press fit. Use a rubber mallet to tap arm, next to axle port, **until fully seated.**



❹ While applying a gentle closing case, through the clam opening, gently pry inward one arm at a time. Case should snap close over axle. Leave case closed overnight.

Danger: Arm must be fully seated on axle before shooting. Inspect all components for damage before shooting. Never shoot if there are signs of damage. Failure to follow instructions can result in death or serious injury including loss of eye.

First Closing

The arm-shell clearance will need to be set during the first closing.

- ❶ Install Saunders flatbands per instructions. Band ends protrudes through bottom arm opening, NOT over front of arm's jaw.
- ❷ Fold arms into shell, handle down and outer case until it contacts the band clips.

**Shoot safe, shoot smart,
ALWAYS wear safety glasses.**